


PRODUCT SHEET

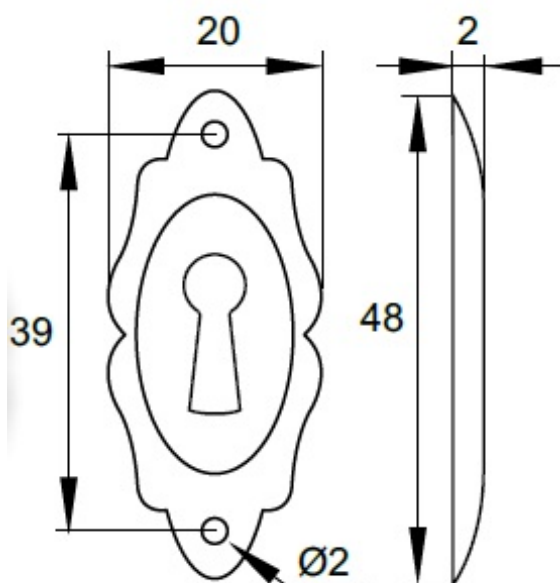
Description:

Escutcheon, Oval, Bronze Plated, For Nail-On

Item number:

14.11.150-1

Units	Box	Carton	HS Code	Barcode
Pcs.	250	2000	8301600090	 5704866050821



SISO A/S

Mileparken 11
DK-2740 Skovlunde
Denmark
VAT: DK 24786013

Phone +45 45 830 900

www.siso.dk
siso@siso.dk

Danske Bank
Nytorv Branch
Copenhagen
SWIFT: DABADKKK

Account no.
4180 3112 112936
IBAN Account
DK7230003112112936